

### ASSEMBLY INSTRUCTIONS

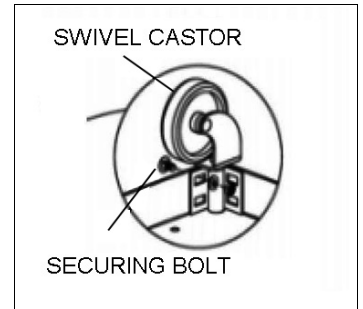
Thank you for purchasing your new Clarke tool storage cabinet or chest. Below you will find some useful assembly information.



If you have purchased a mobile cabinet you will find the following:

- Side mounted handle. The handle and its mounting hardware is located inside one of the drawers. It may be fitted to either side of the cabinet, depending upon where you intend to position it in your work area. Make sure that the swivel castors are installed on the same side as the handle to make steering easier.
- Castors - The castors need to be fitted. You will find them and their mounting hardware in a cardboard box inside one of the drawers.
- Tool holder. If this is supplied it will need to be fitted to the side of the cabinet opposite the handle.
- Keys are supplied for all models unless designed for a padlock (not supplied).

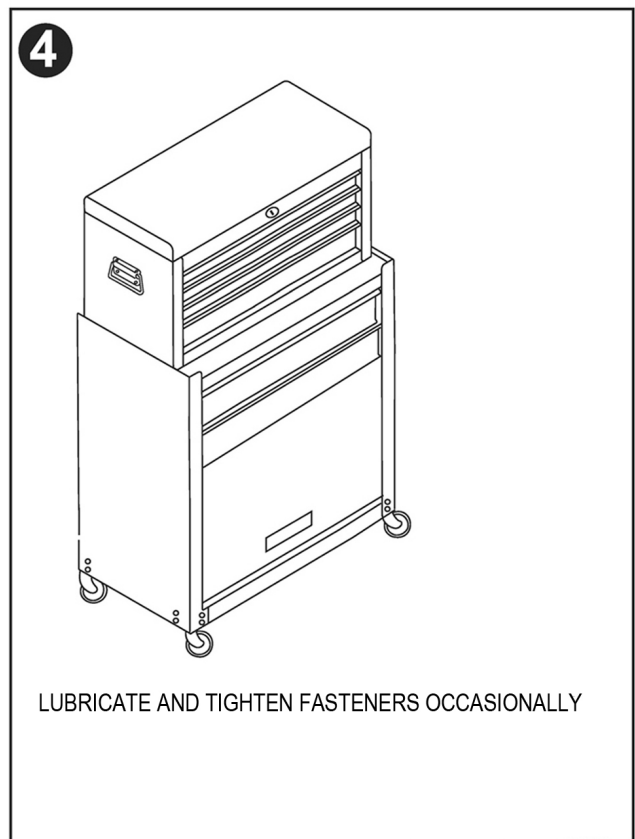
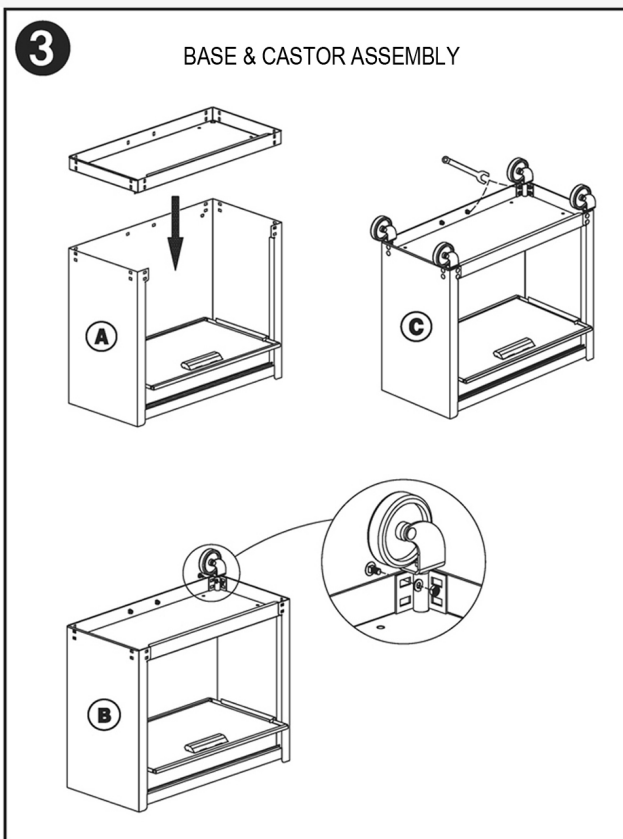
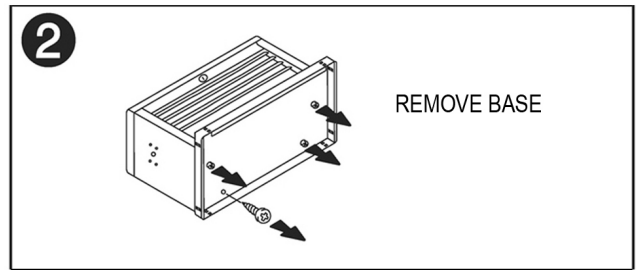
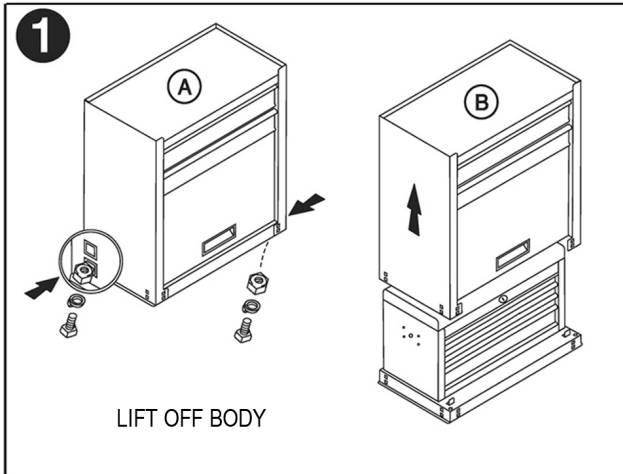
1. Carefully turn the cabinet upside down.
2. Install all four castors as illustrated, bolting them to the outside edge of the cabinet base.



Your cabinet is designed for years of trouble free service There is little or no maintenance needed.

The drawer slides can be easily lubricated if necessary by spraying lubricant, such as white lithium grease, into the slides.

Assembling a combination of cabinet and tool chest.



**Parts Enquiries**  
[Parts@clarkeinternational.com](mailto:Parts@clarkeinternational.com)

---

**Servicing & Technical Enquiries**  
[Service@clarkeinternational.com](mailto:Service@clarkeinternational.com)

---

**Clarke** INTERNATIONAL Hemnall Street, Epping, Essex CM16 4LG  
[www.clarkeinternational.com](http://www.clarkeinternational.com)